

Artemide®

LA LINEA 25

design
BIG



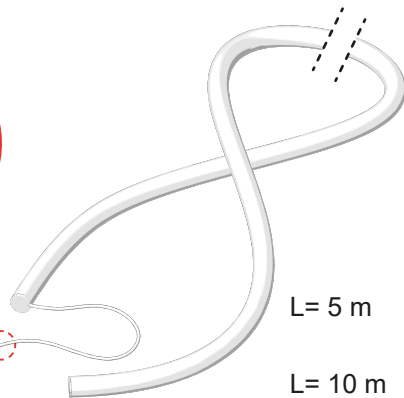
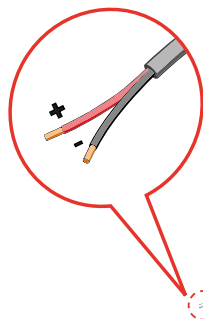
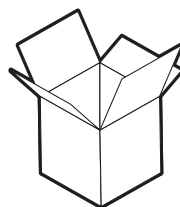
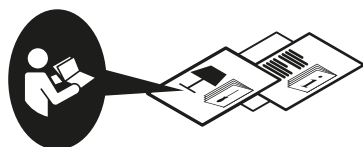
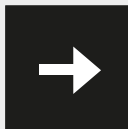
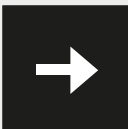
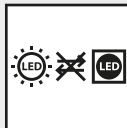
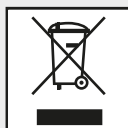
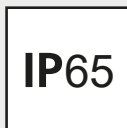
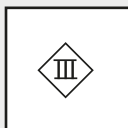


i

La Linea
5 m /
10 m



La Linea
20 m



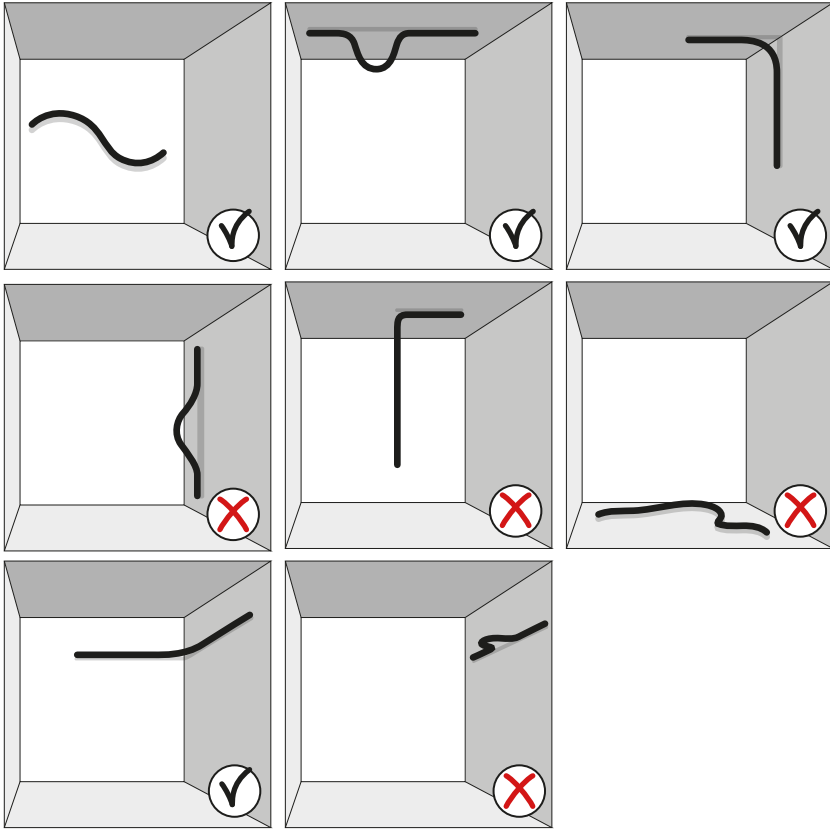
L= 5 m  x 11 + 

L= 10 m  x 21 + 

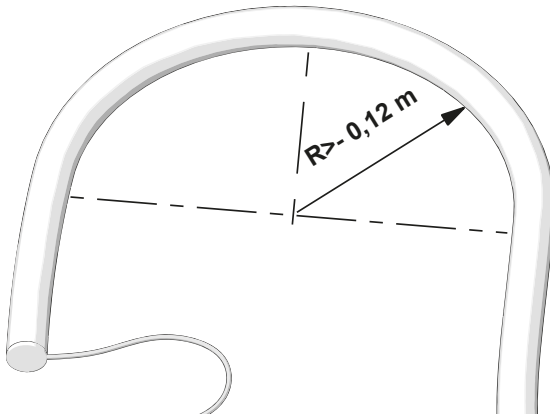
L= 20 m  x 41 + 



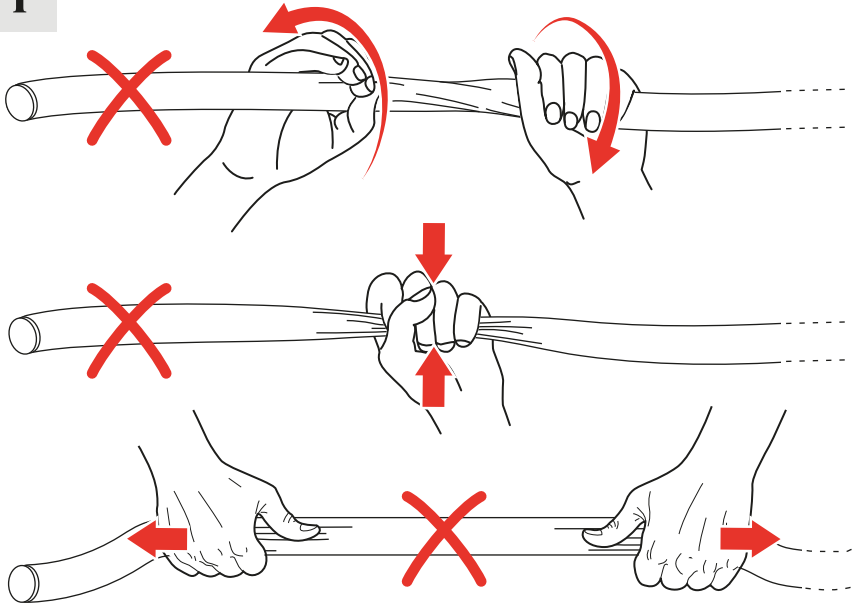
i

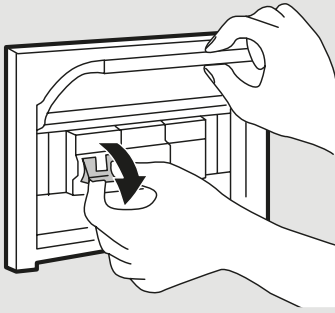


i

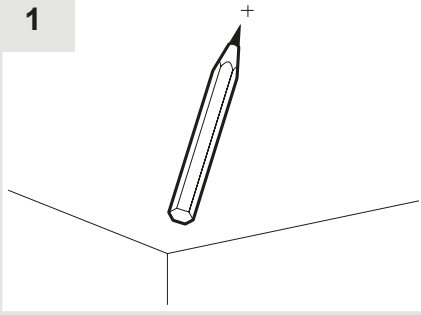


i

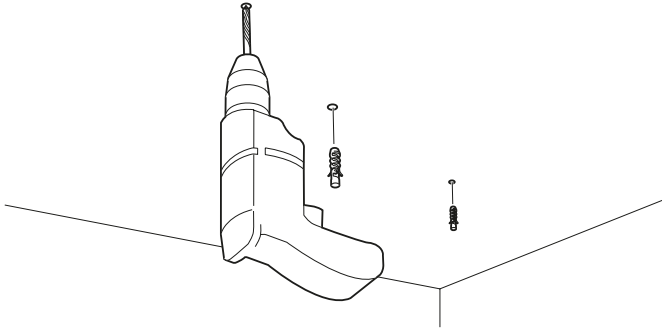




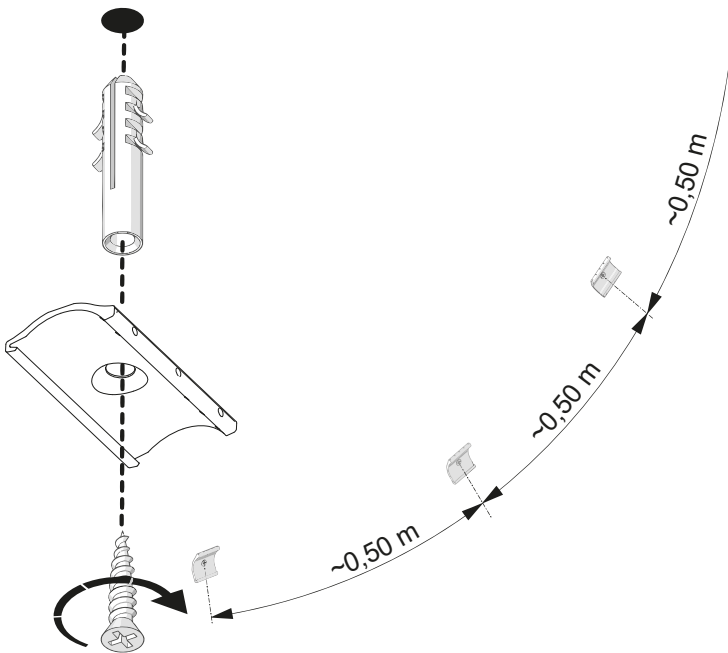
1



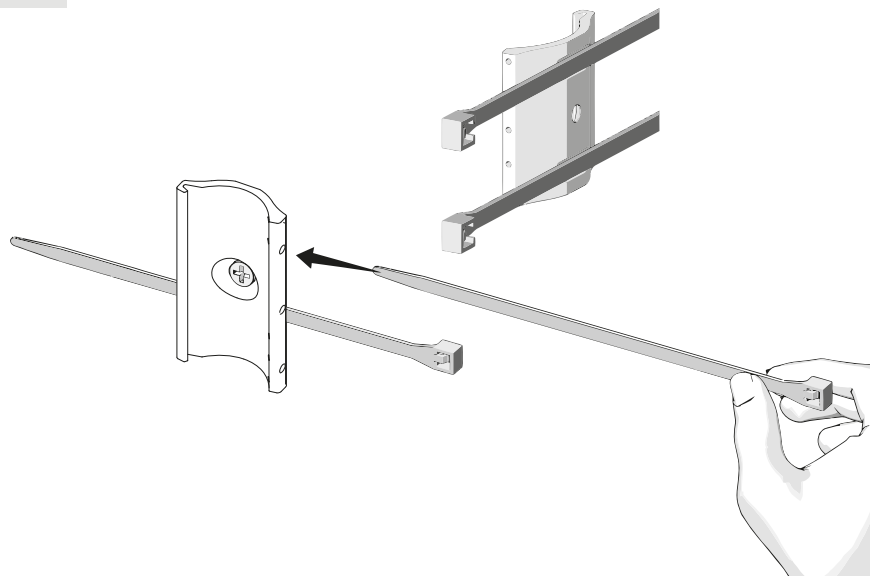
2



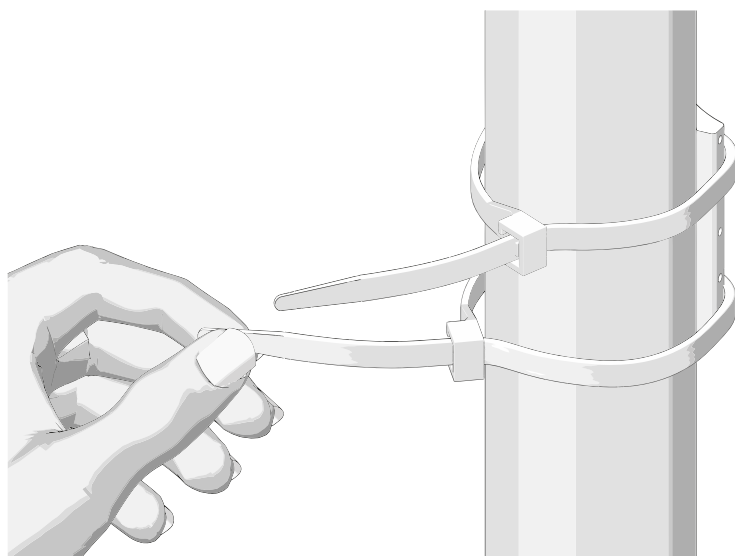
3



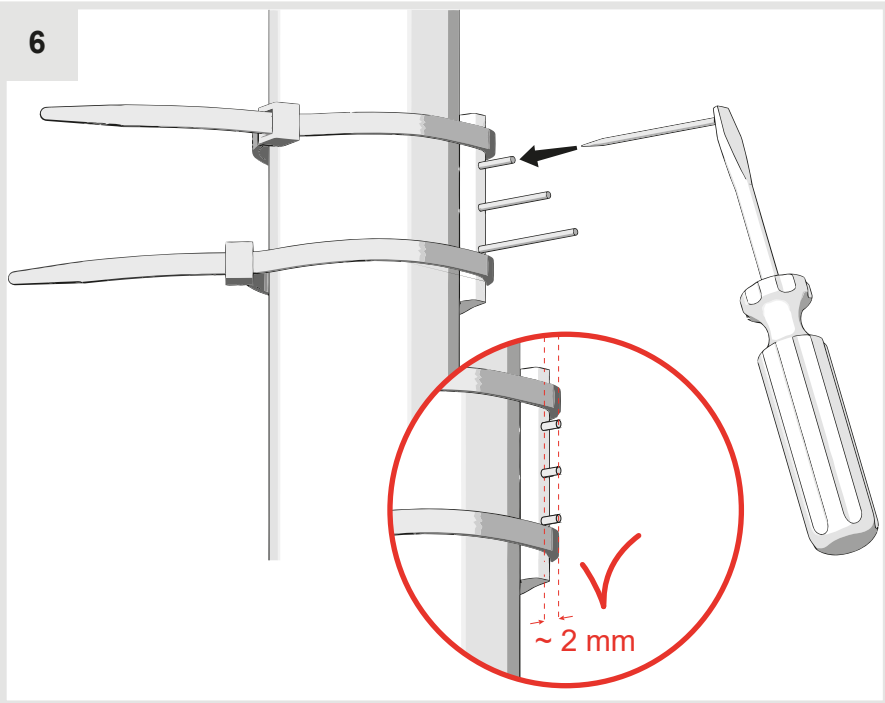
4



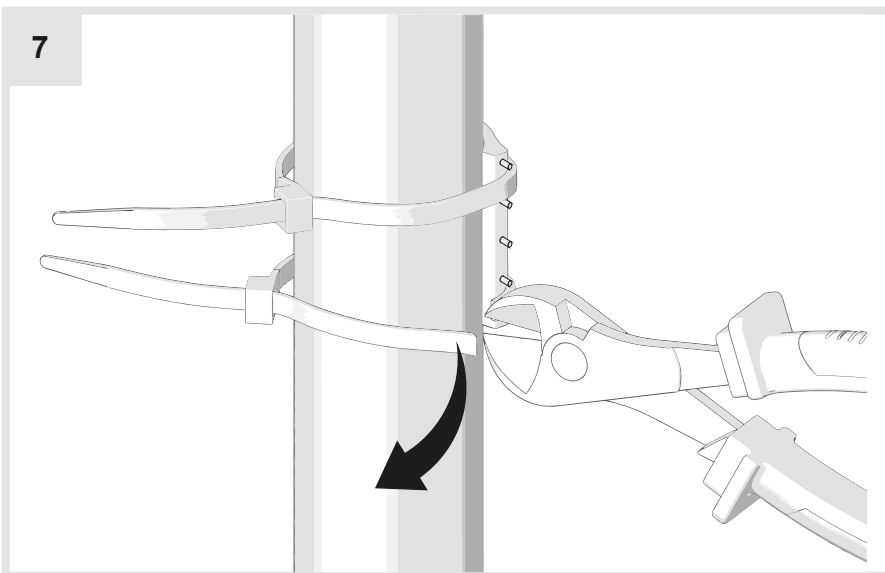
5



6

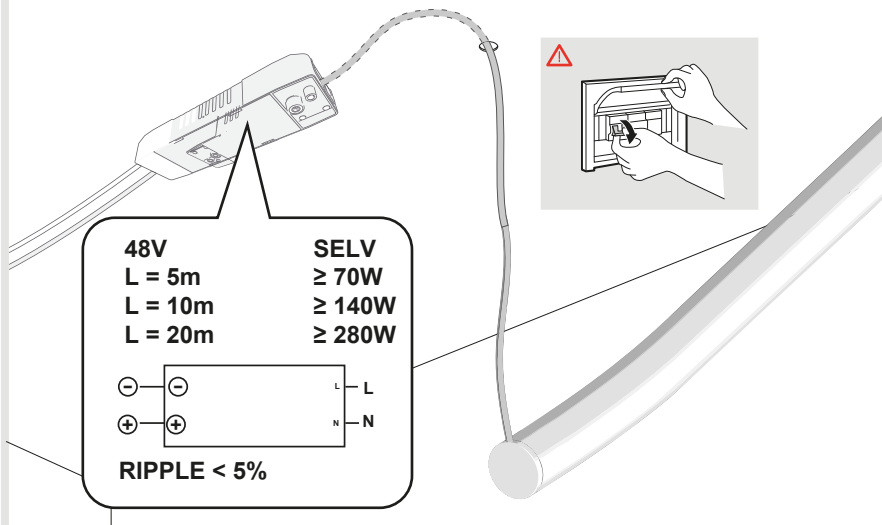


7



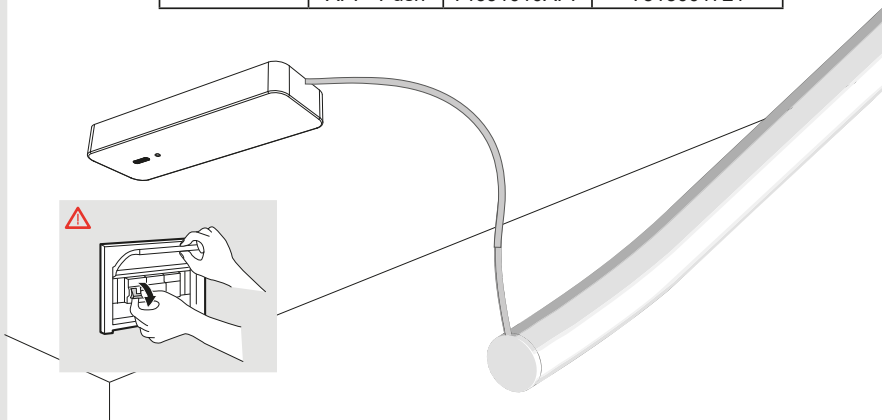
8

RECESSED BARE KIT				
La Linea 25		IP20	IP65	Instruction Sheet
5m / 10m	ND + 0-10	x	DV1105	Y513001714
	DALI	x	DV1106	Y513001716
	APP+Push	DV1105APP	x	Y513001715
20m	ND + 0-10	x	DV1107	Y513001717
	DALI	x	DV1108	Y513001719
	APP+Push	DV1107APP	x	Y513001718

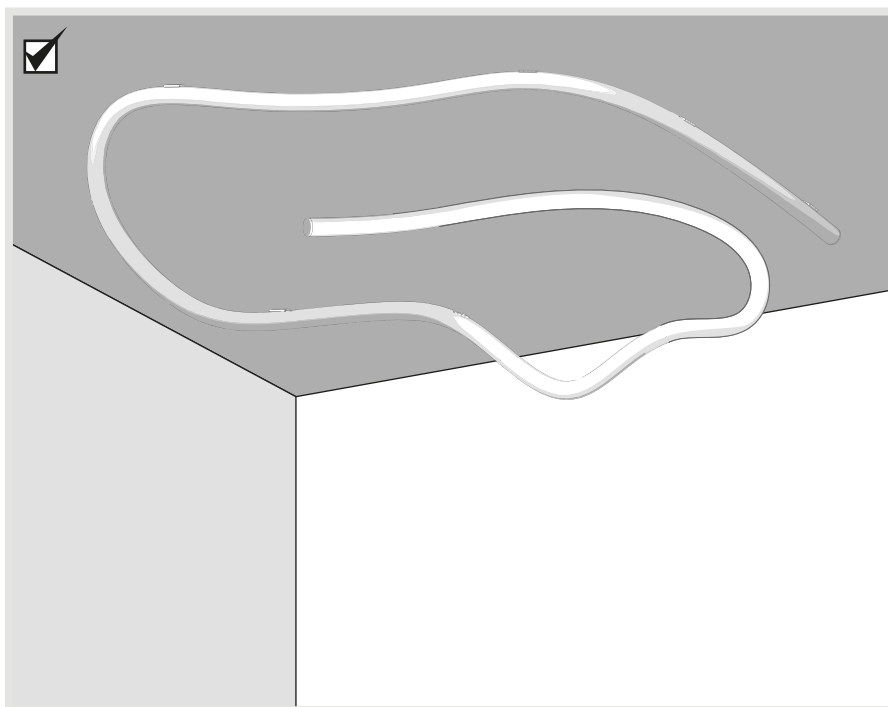
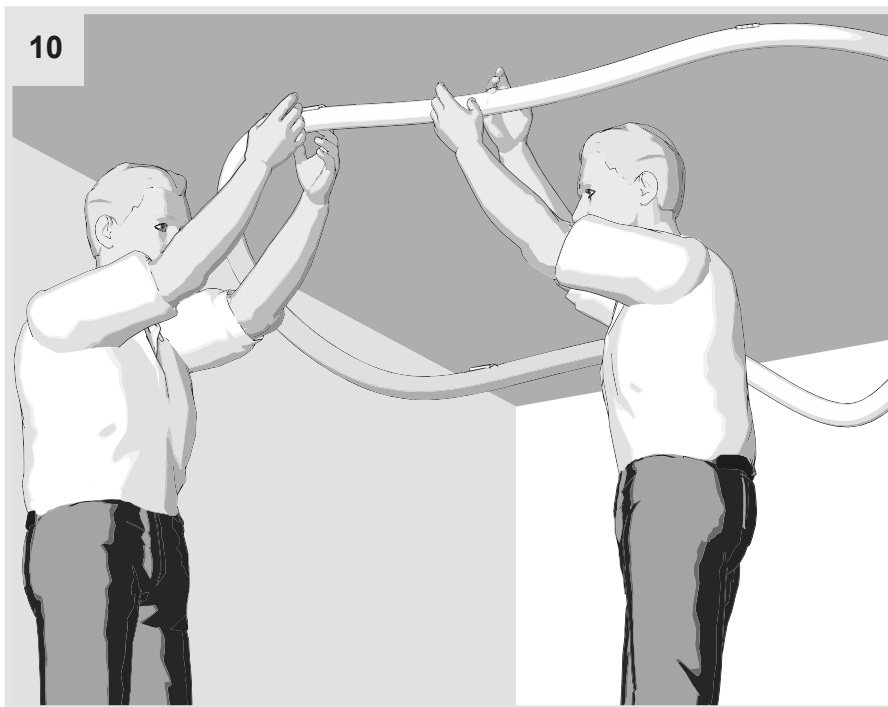


9

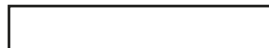
SMD POWER KIT			
La Linea 25		IP20	Instruction Sheet
5m / 10m	ND + 0-10	T4691010	Y513001720
	DALI	T4691110	Y513001722
	APP+Push	T4691010APP	Y513001721



10



Artemide®



Artemide

via Bergamo, 18
20006 Pregnana M.se (MI)
ITALIA

tel. +39 02 935 181
fax +39 02 935 90 254
fax +39 02 935 90 496

www.artemide.com

VAT IT00846890150

cod. Y513001710A